

#12
JT
12/13/02



RJENK14.001 PC

PATENT

IN THE UNITED STATES PATENT AND TRADEMARK OFFICE

Applicant : Evans, et al.)
)
 Appl. No. : 09/555,951)
)
 Filed : September 5, 2000)
)
 For : MAILBOX ANSWERPHONE)
) SERVICE FOR MOBILE)
) COMMUNICATIONS)
)
 Examiner : Gerald Gauthier)

Group Art Unit 2645

I hereby certify that this correspondence and all marked attachments are being deposited with the United States Postal Service as first-class mail in an envelope addressed to United States Patent and Trademark Office, P.O. Box 2327, Arlington, VA 22202, on

11/22/02
(Date)

John M. Carson, Reg. No. 34,303

SUBMISSION OF PROPOSED DRAWING AMENDMENTS
FOR APPROVAL BY EXAMINER

United States Patent and Trademark Office
P.O. Box 2327
Arlington, VA 22202

RECEIVED

DEC 02 2002

Technology Center 2600

Dear Sir:

In response to the Office Action mailed May 24, 2002, please amend the drawings as follows:

Please amend Figure 1 as shown in red on the attached copy. Figure 1 has been amended to label the boxes, as described in the specification. Applicants submit that the proposed drawing changes do not introduce new matter.

Applicants acknowledge the indication of drawing informality. Formal drawings will be prepared and filed upon issuance of a Notice of Allowance.

Respectfully submitted,

KNOBBE, MARTENS, OLSON & BEAR, LLP

Dated: 11/22/02

By: _____

John M. Carson
Registration No. 34,303
Attorney of Record
Customer No. 20,995
(619) 235-8550

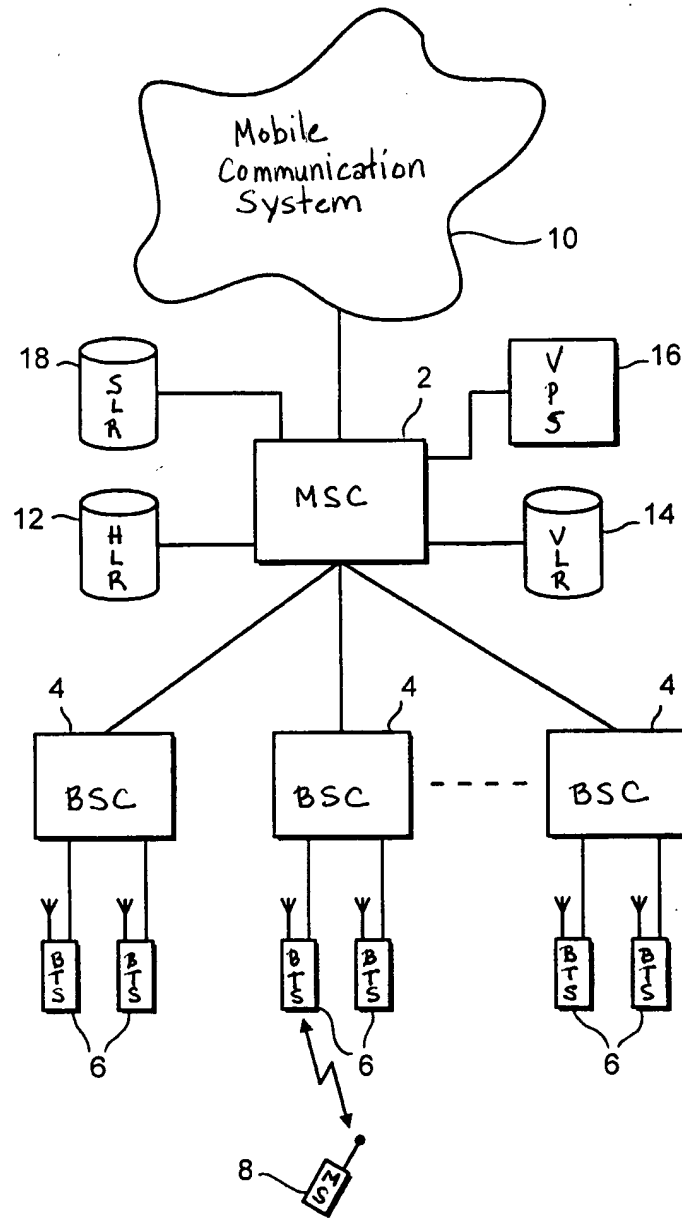


FIG. 1